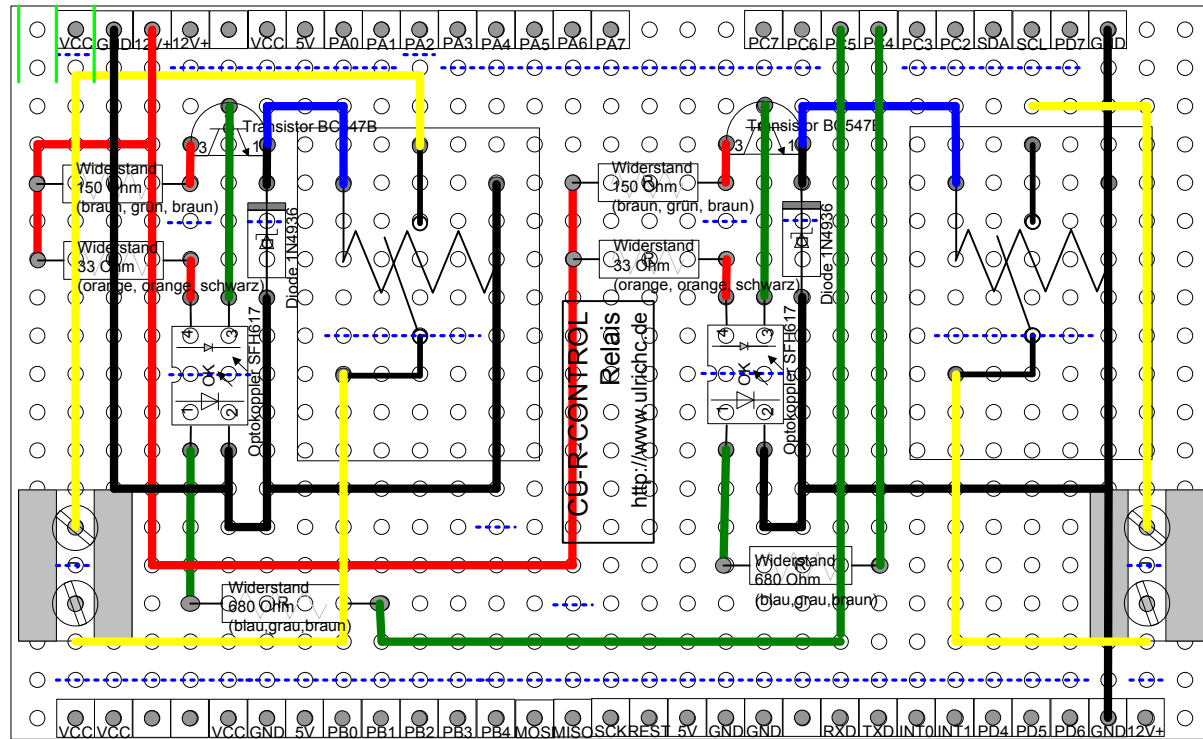


CU-R-Control (Relais) (Layout)



CU-R-Control (Relais) (Print)

