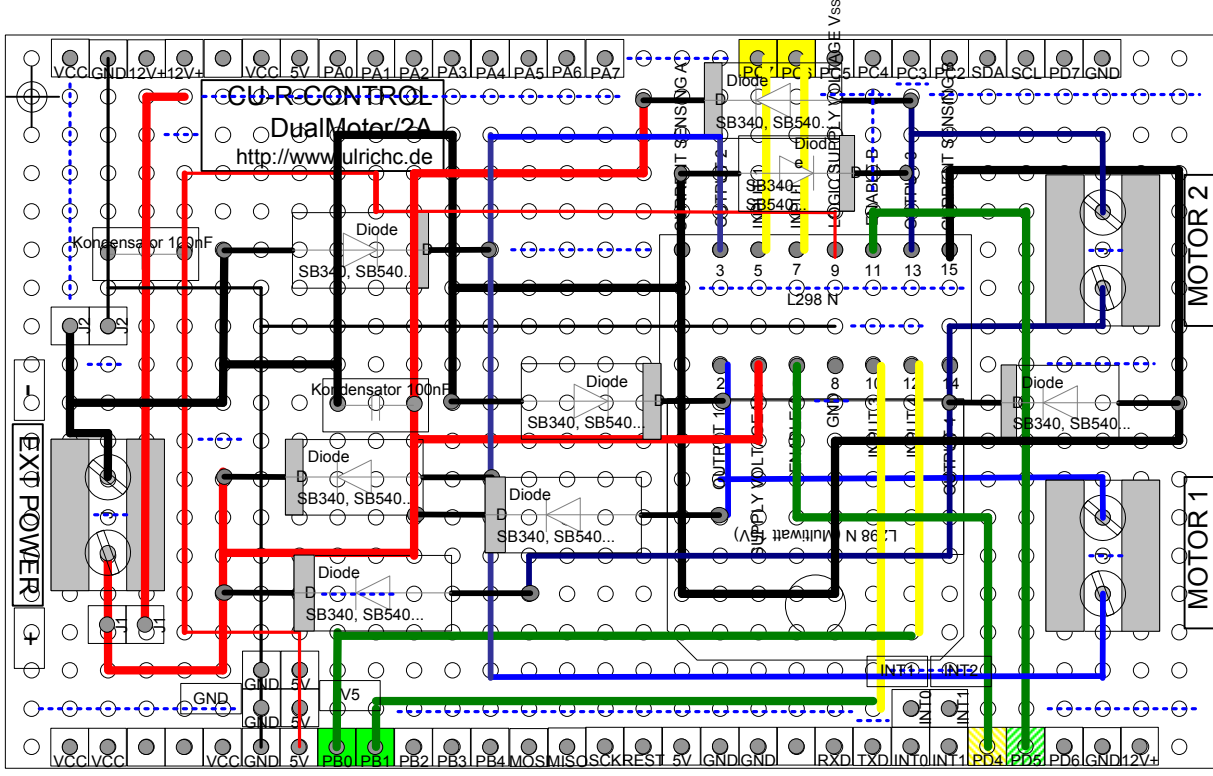
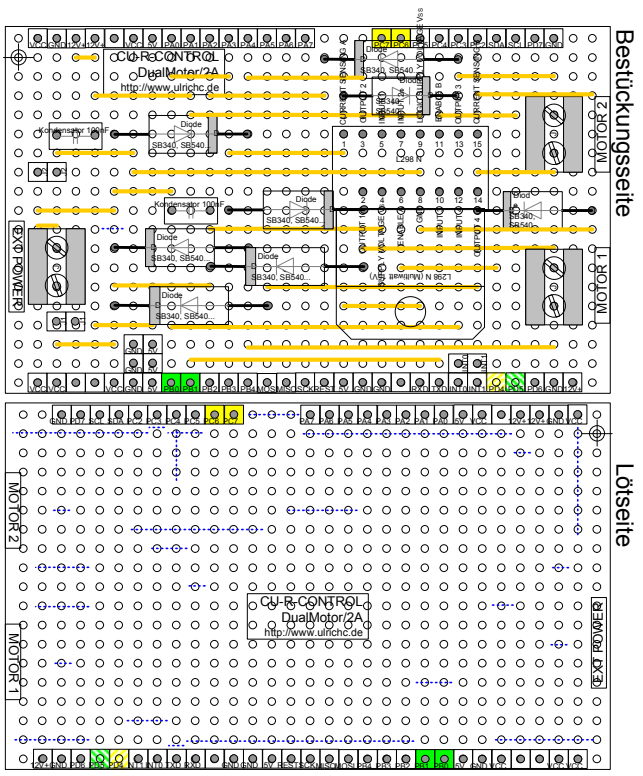


# CU-R-Control (DualMotor-2A) (Layout)



# CU-R-Control (DualMotor-2A)

(Print)



# CU-R-Control (DualMotor-2A) (Cooler)

(Zuschnitt)

