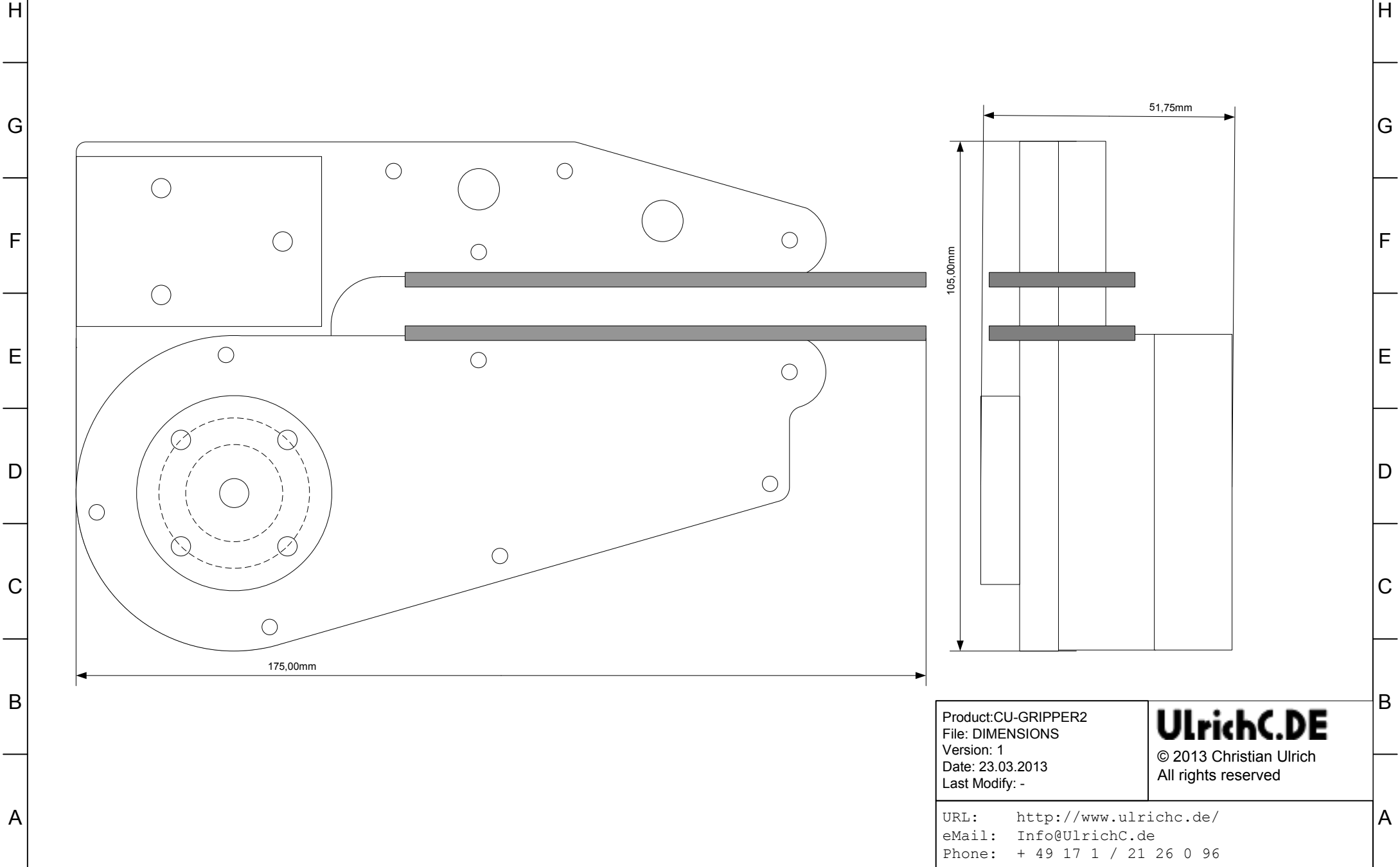


CU-GRIPPER2 (Dimensions / Abmessungen)



Product: CU-GRIPPER2
 File: DIMENSIONS
 Version: 1
 Date: 23.03.2013
 Last Modify: -

UlrichC.DE
 © 2013 Christian Ulrich
 All rights reserved

URL: <http://www.ulrichc.de/>
 eMail: Info@UlrichC.de
 Phone: + 49 17 1 / 21 26 0 96